

# SLEEP POD

M/MASS



Homelessness in America  
is at a crisis point.  
In Los Angeles and San Francisco,  
encampments can now be found in  
almost every neighborhood.

THANK  
YOU

WHAT IF THERE WAS A SOLUTION TO  
THE PROBLEM OF HOMELESSNESS THAT  
ALSO HAPPENED TO BE BEAUTIFUL?

M/MASS

THE ISSUE:  
HOMELESSNESS  
BY THE NUMBERS



**17,595** HOMELESS  
IN SAN FRANCISCO

**58,936** HOMELESS  
IN LOS ANGELES COUNTRY



SLEEP POD



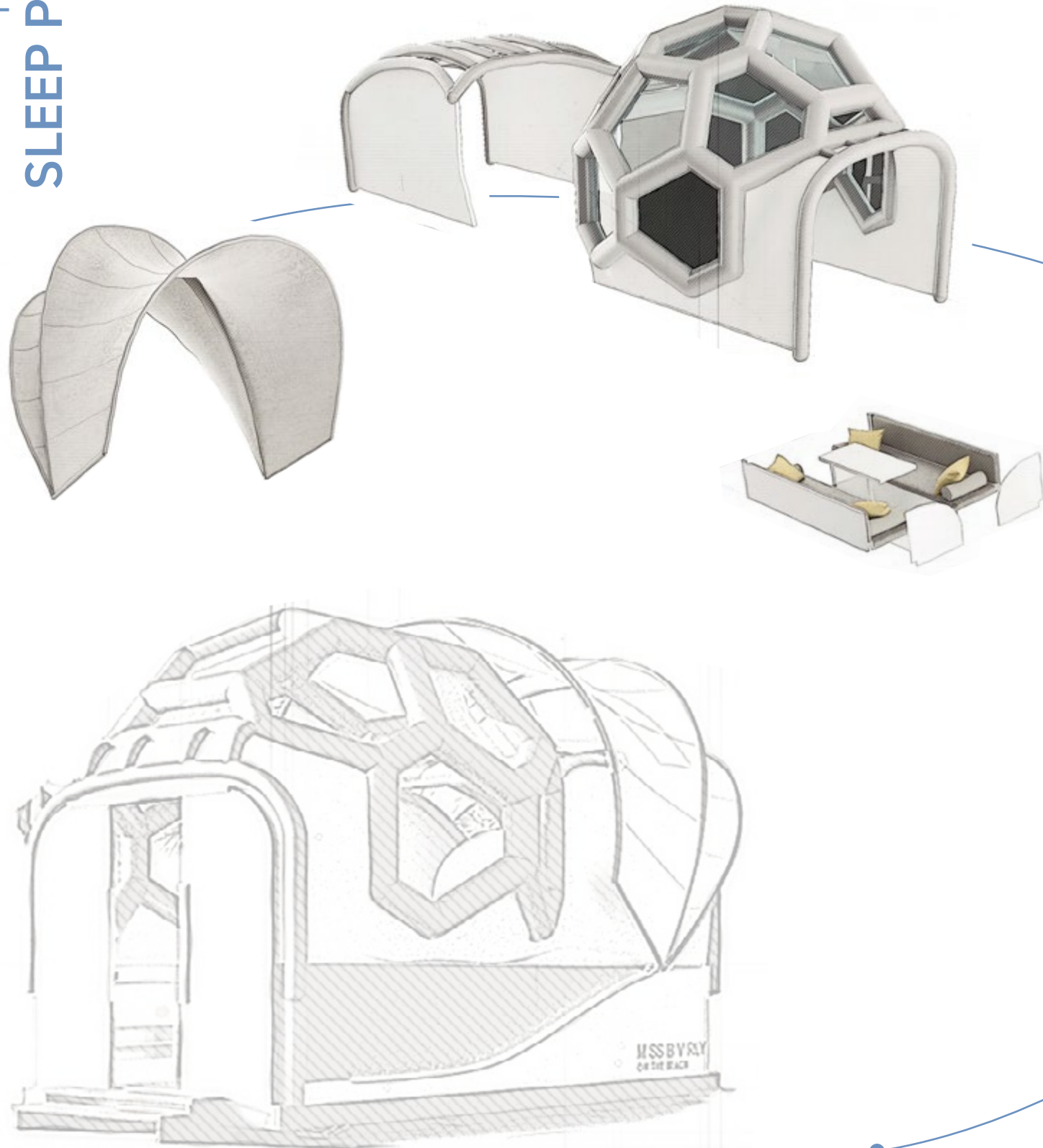
**\$550,000** AVERAGE  
COST OF EACH UNIT

**8,000** NEW UNITS BUILT  
IN L.A. PER YEAR

There are less than **8,000** new units being built in Los Angeles per year. The average cost of each unit hovers around **\$550,000**. Very few of these new homes offer transitional housing.

M/MASS

# THE SLEEP POD



## LIFE SPAN

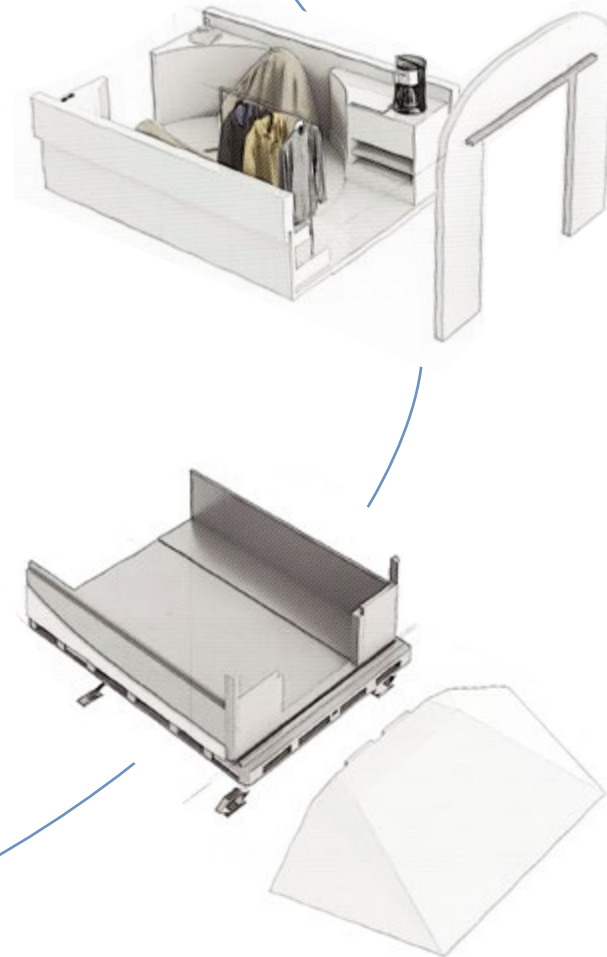
4-10 years with a minimum of 4 inflations and deflations per year

## INITIAL INVESTMENT

Tooling, initial mold casting and creation TBD

## COST PER UNIT

Cost varies due to final composition



# SLEEP PODS PROVIDE AN INEXPENSIVE, PORTABLE AND BEAUTIFUL OPTION TO HOMELESS SHELTERS.

A semi-private solution to homeless shelters, they offer an easy psychological transition for those who are used to sleeping in tents. Coupled with a pilot social program inspired by the successful Veteran's Community Project in Kansas founded by former US Army Corporal Chris Stout, The Sleep Pod underscores the first crucial transitional step to propel people out of homelessness and on the road towards long-term housing.

With a streamlined functional design that offers a place to sleep, prepare simple food and socialize, The Sleep Pod provide a foundation upon which to accrue the basic skills necessary to maintain a long-term home. Outfitted with a selection of new supplies that foster pride of ownership — including new mattresses, new cutlery and dish ware, new linens and towels that become the property of the residents and that will follow them into eventual permanent housing — they help reignite dignity. Partnered with mental health and substance abuse professionals, financial and medical assistance, and job placement and counseling opportunities, they provide a pivotal piece of the puzzle that turns short term solutions into deep-rooted success.

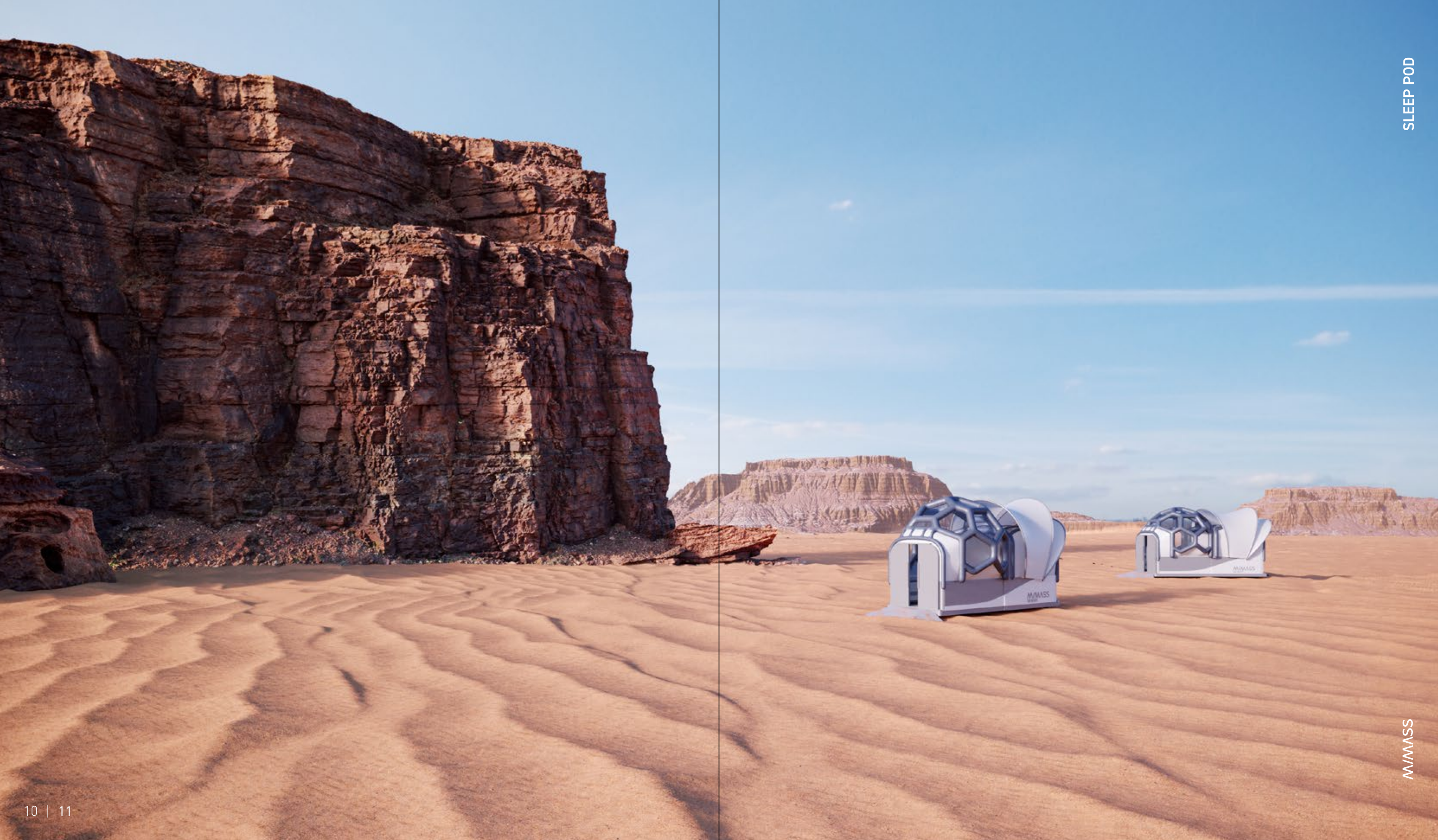


**THE SLEEP POD IS  
A LIGHTWEIGHT,  
PORTABLE, SCALABLE  
AND INEXPENSIVE  
SOLUTION TO  
TEMPORARY HOUSING.  
ALL THE AMENITIES OF  
TINY HOUSE DWELLING  
WITH THE PORTABILITY  
OF A TENT, IN A  
BEAUTIFUL AND  
EFFICIENT PACKAGE.**



Perched on adjustable legs created for uneven surfaces, with a structural base modeled on a stringer pallet and made from injection molded recycled plastic and an inflatable geodesic roof with a self-regulating fan mechanism, The Sleep Pod is a comfortable, non-invasive ADA-compliant shelter that can be put together by a two man team with only minimal instruction. Interchangeable parts and snap-together assembly make them easy to erect and break down.

An life expectancy of 4-10 years, with at least 4 inflations and deflations per year, their beauty is only matched by their durability.



# ADAPTABLE. PORTABLE. ECO-FRIENDLY. SUSTAINABLE. CUSTOMIZABLE.

With its myriad of accessories, modifications and various configurations, the uses for the Sleep Pod are endless:



## BEAUTIFUL

Sculptural, streamlined and easy-to-clean Sleep Pods are a encampments



## TEMPORARY

Studies have shown that it only takes 6-9 months in a well-supported environment to transition out of homelessness



## DIGNIFIED LIVING

Outfitted with new basics that nurture pride of ownership, Sleep Pods help reignite dignity



## VOCATIONAL SKILLS

Sleep Pod assembly teaches basic construction skills and develops teamwork



## JOB CREATION

Maintenance and supportive services of Sleep Pods — including refuse, water, repair and security — creates jobs



## BASIC SKILLS

The Sleep Pod teaches the home keeping responsibilities necessary to maintain long-term housing



## MICRO-COMMUNITIES

Parking lots, construction sites and undeveloped lands can be quickly and temporarily transformed into small, supportive villages buoyed by communal dining, bathing and restroom facilities



## FLEXIBLE

RV certification offers special dispensations with regard to insurance, location and safety codes



## RECYCLABLE

Created from natural materials, the units are also partially recyclable



# THE SLEEP POD

01  
Geodesic Dome w/Transperent Pieces /  
40 Gauge Clear Vinyl

02  
Inflatable Top

03  
Folding Shades

04  
Sliding Doors on a Single Rail

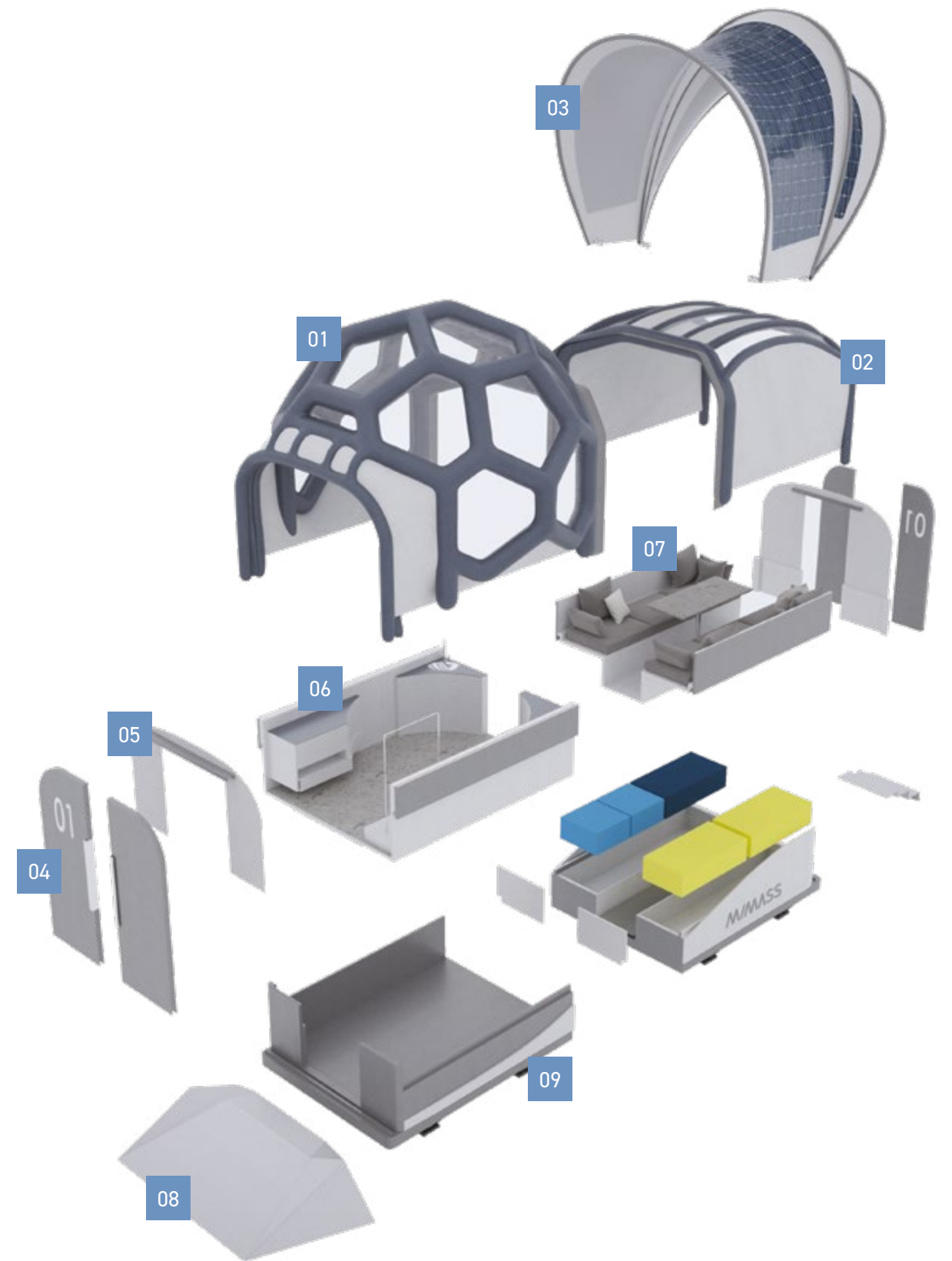
05  
Folding Walls

06  
Battery Operated Cooler

07  
Transforming Table/Bed

08  
ADA Compatible Ramp

09  
Universal Stabilizers





## URBAN RENEWAL

P.18



## RECREATION

P.18



## LIVING FARMS AND HOTHOUSES

P.18



## PROMOTIONS AND EXHIBITIONS

P.18



## CONSTRUCTION AND PRODUCTION SITES

P.18



## CATASTROPHE AND DISASTER RELIEF

P.18



## MEDICAL

P.18



## FUTURE & PRIVATE USE

P.18

# RECREATION

01



SLEEP POD

W/M/ASS

ELEGANT  
AND LUXURIOUS

Perfect for fun, for leisure and for pleasure. Portability, a slender footprint, and tranquil, dustless construction, make the Sleep Pod ideal for erecting in remote locations, offering unparalleled access to the earth's most hidden and exotic locales. Comfortable, non-invasive, sustainable, the Sleep Pod offers a living experience that easily surpasses that of the most glamorous tents. And, once it's removed, all traces of it disappear, leaving nature undisturbed.



SLEEP POD

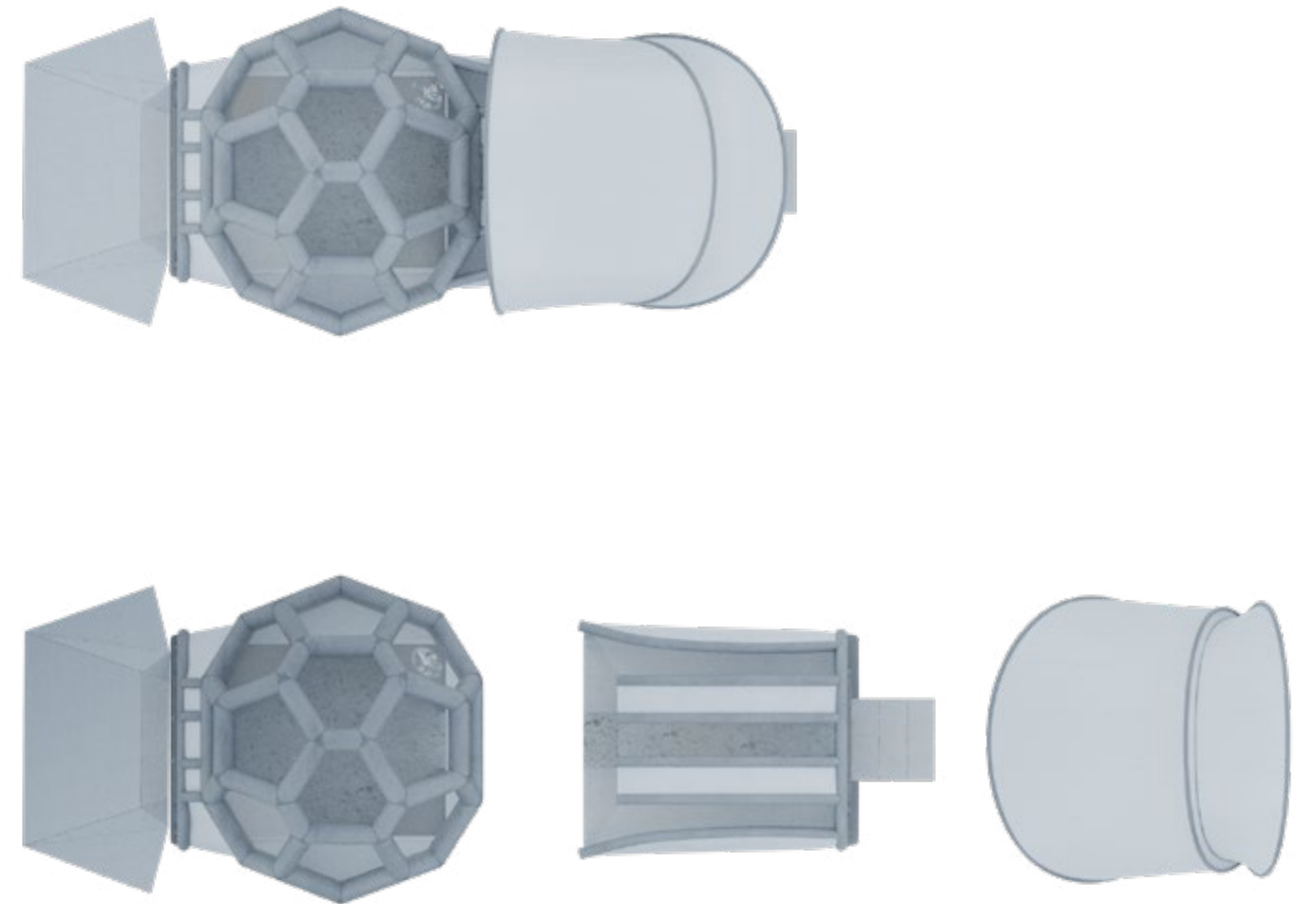
W/M/SS

# ASTOUNDING ADAPTABILITY



Printable and customizable, the Sleep Pod's click-together construction offers a range of features and unique options that easily adapt to a variety of unique situations.

Their exterior skin can be branded and wrapped to take advantage of the Sleep Pod's expansive surface areas.





# TOTAL COMFORT

With meticulously planned fittings that maximize the space and exude refinement, the interiors are as modern, stylish and ingenious as the exteriors are beautiful. Streamlined and practical, they incorporate the latest technologies and innovations in small-space home and boat design to offer a big space feel.



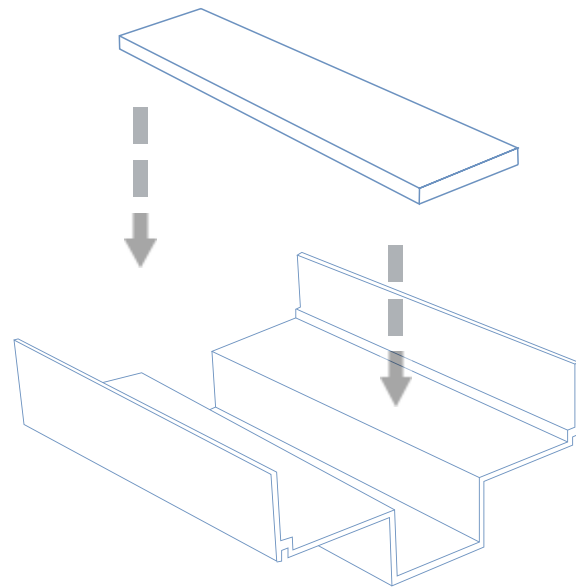
INVENTIVE. CLEVER. PRACTICAL.  
CONVENIENT. THOUGHTFUL.



During the day, an inviting pedestal dining table, with banquette seating for six and an overhead skylight, serves as a convenient spot for meals, games, work, school assignments, meetings and conversation.

Below, compartments hide generous storage areas for clothing, bedding and personal items.

At night, a simple mechanism lowers the table level with the benches, converting the area into a bed large enough to sleep two adults and two children.

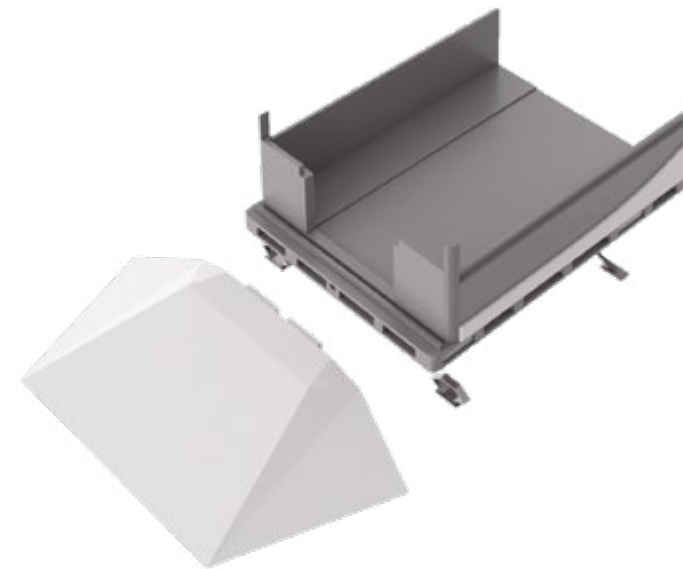
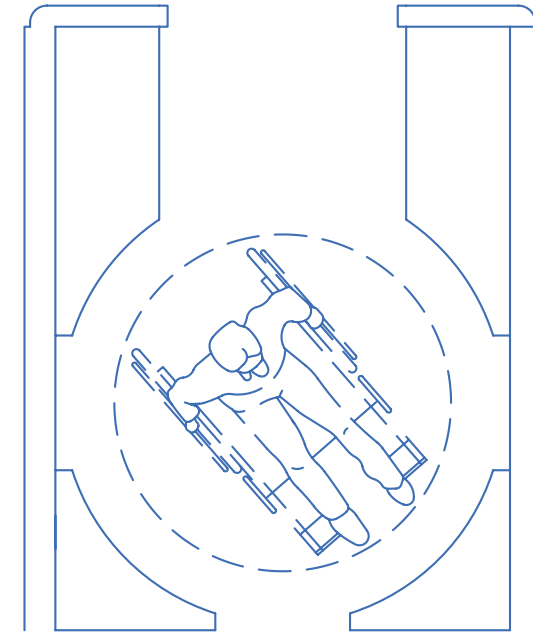


SWISS



## ADA COMPATIBLE

The shell is designed to meet all ADA requirements. From ramps to an aisle between the dining area's banquettes that accommodates a wheelchair to a central space that allows for full 360 movement and access.





# URBAN RENEWAL

02



SLEEP POD

M/MASS

BLENDING WITH  
THE URBAN  
ENVIRONMENT



SLEEP POD

M/MASS

THE **SLEEP POD'S**  
MODERN DESIGN **FITS**  
**DEFTLY INTO THE**  
**MANY VARIATIONS**  
**OF THE URBAN**  
**ENVIRONMENT,**  
NESTLING NEAR  
**MODERN OFFICE**  
**BUILDINGS** AS WELL  
AS IT DOES NEAR  
**TRADITIONAL HOMES**

The clean, crisp, space-age lines of the Sleep Pod are a visually pleasing alternative to the flimsy, rough and chaotic look of most temporary housing structures.



SLEEP POD

M/MASS

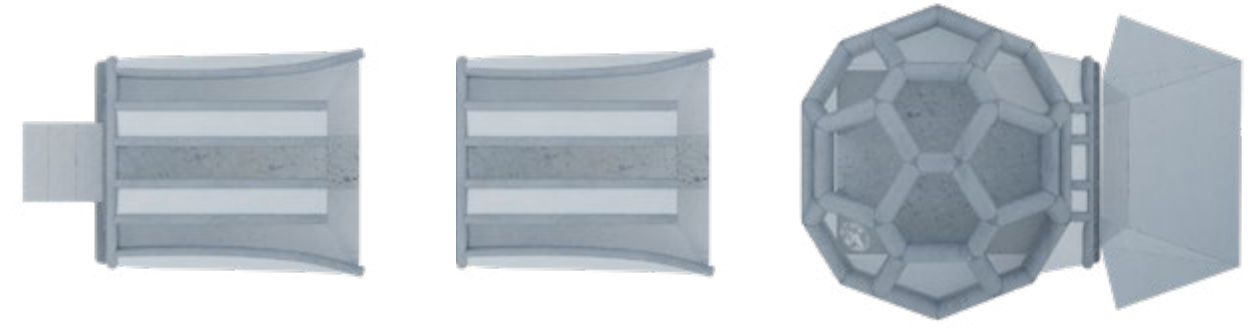
# LIVING FARMS AND HOTHOUSES

03



# TAKING CARE OF OUR PLANET

Hothouse production is a growing business with an estimated one million acres of greenhouses spread across the world. The interior of the Sleep Pod can be customized to accommodate protected cultivations, allowing for control over the environment, sheltering crops from adverse weather conditions and safeguard management over pests and diseases, allowing for abundant year-round farming.



SLEEP POD



M/M/ASS





A COMPACT  
GREENHOUSE



# PROMOTIONS AND EXHIBITIONS

04







Salone  
del Mobile.  
Milano

Salone  
del Mobile.  
Milano

Salone  
del Mobile.  
Milano

Salone  
del Mobile.  
Milano

Salone del Mobile  
Milano

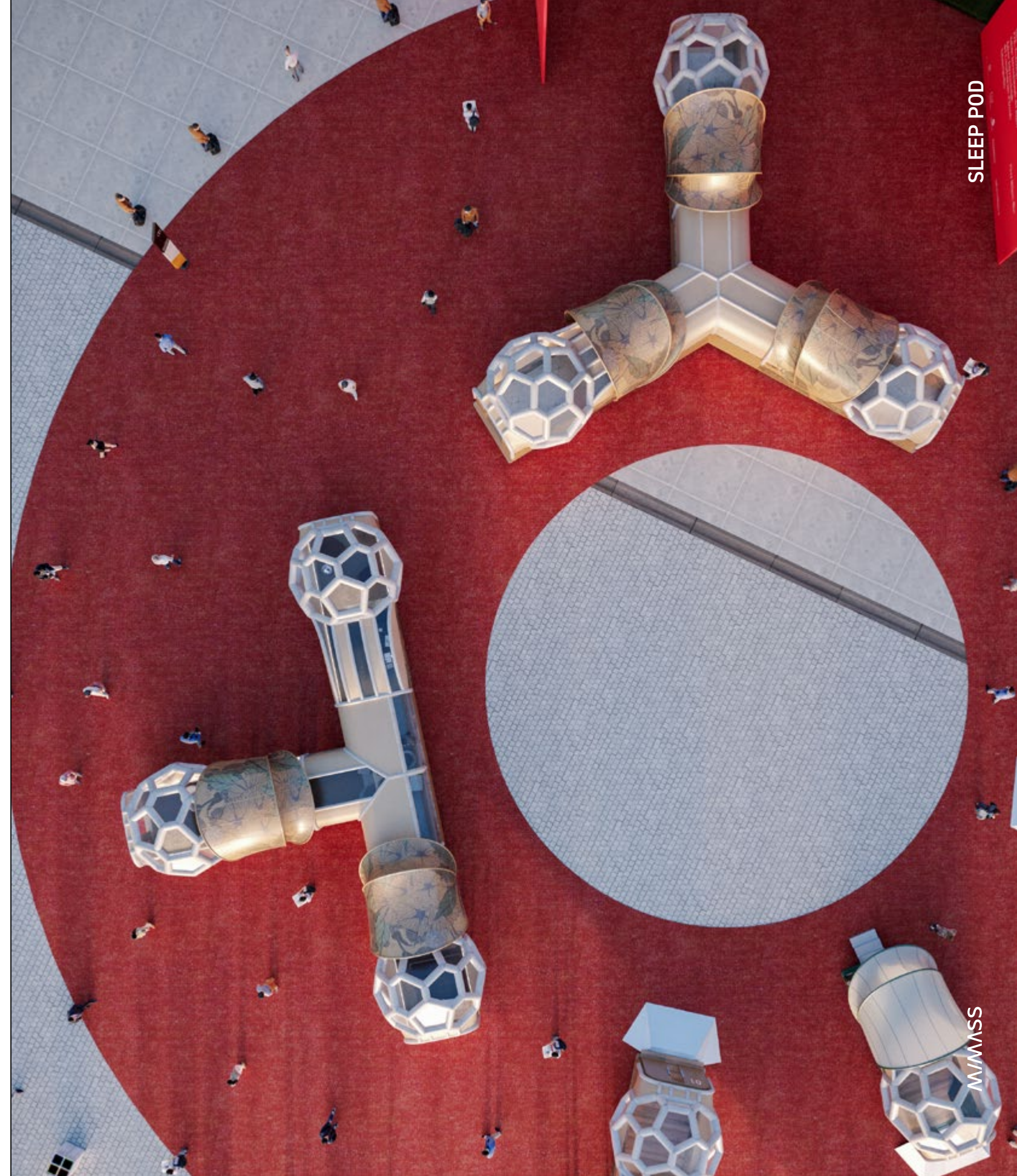
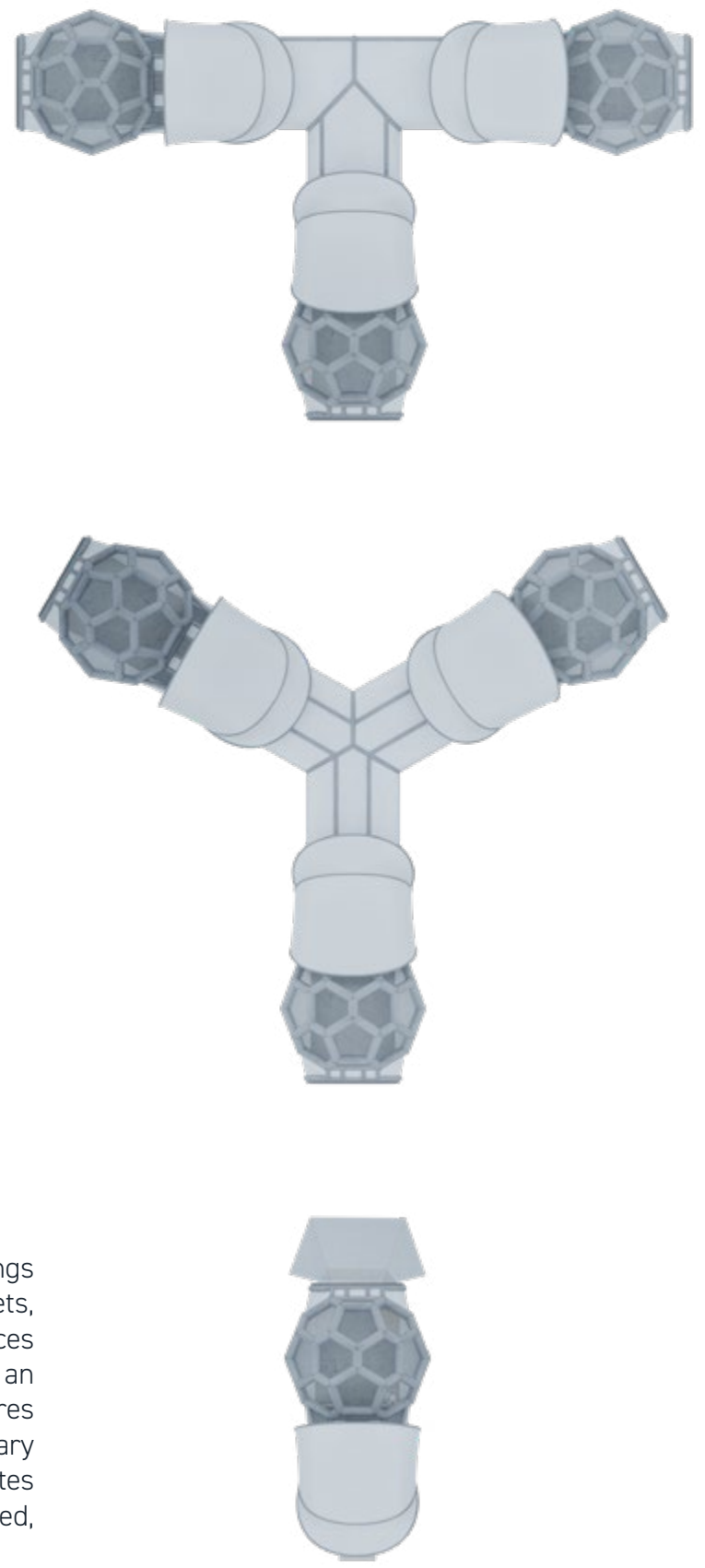
Euro

SLEEP POD

SW/M

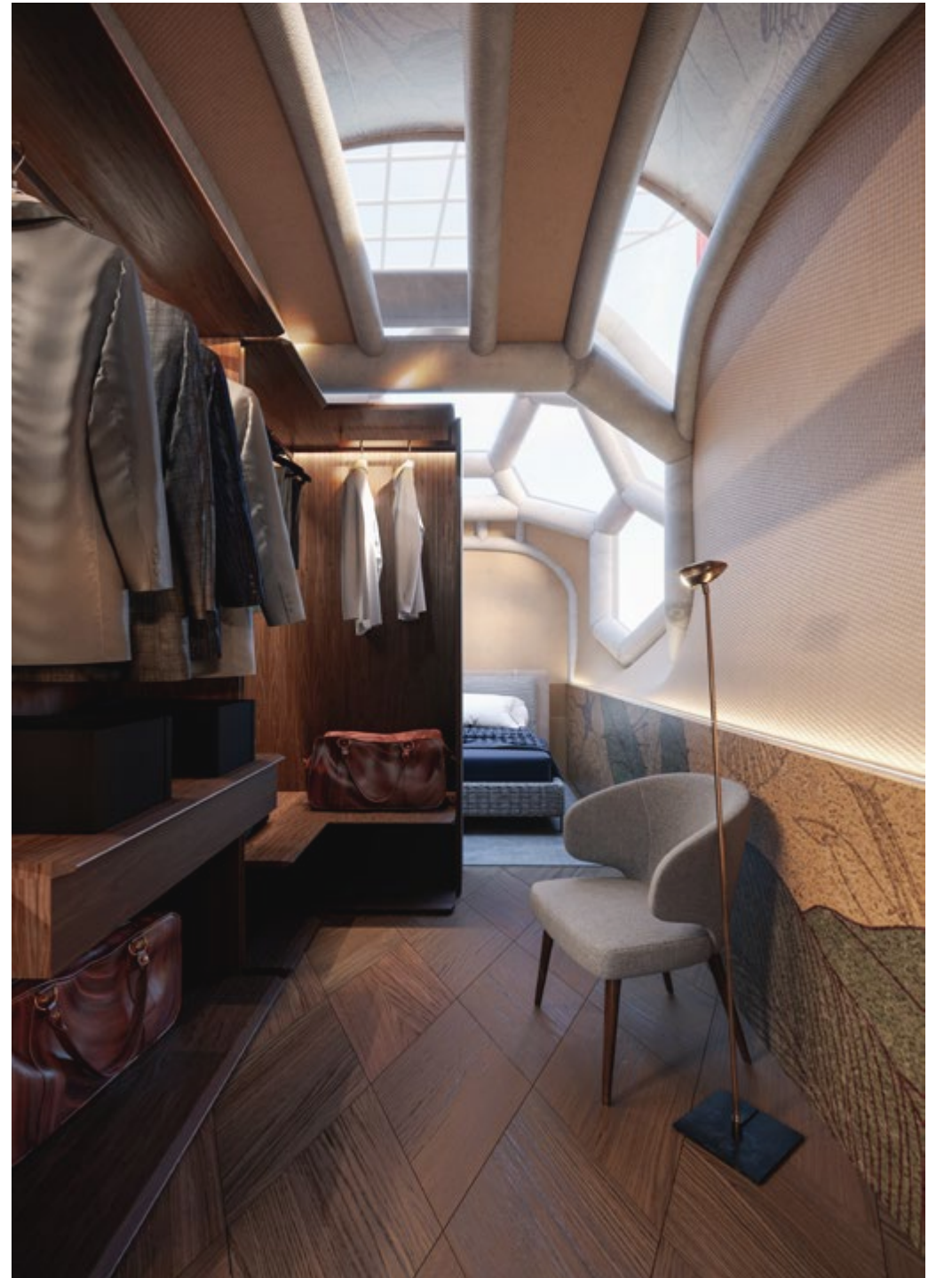
**CUSTOMIZABLE.**  
**PRINTABLE.**  
**FLEXIBLE.**

From art fairs to kitchen shows, trade gatherings to photography exhibits, carnivals, flea markets, and music festivals, the need for temporary spaces that offer no hassle set up and breakdown and an easy-care backdrop that displays a variety of wares and services from the exquisite to the ordinary in a setting that promotes their best attributes is an ongoing need in our increasing connected, international economic climate.





## FUNCTIONAL BEAUTY



The Sleep Pod's flexibility can work as a portable office, showroom and display & demonstration area that brings your brand around the world with all of its nuances intact.

# CONSTRUCTION AND PRODUCTION SITES

05



RELIABLE  
AND PORTABLE



SLEEP POD

W/M/ASS

**BUILDING SITES AND  
MOVIE SETS HAVE  
UNIQUE DEMANDS  
THAT INCLUDE  
SAFETY, FLEXIBILITY,  
PORTABILITY, COMFORT,  
LONGEVITY, SECURITY  
AND PRIVACY.**

The Sleep Pod accommodates all of these needs in one compact design, serving both as offices or sleeping quarters.



# CATASTROPHE AND DISASTER RELIEF

06





When Disaster strikes, time is of the essence. Sleep Pod's offer an immediate solution for shelters, storage, medical offices and distribution centers.

SLEEP POD

M/MASS





WITH THEIR **PLUG-AND-PLAY ASSEMBLY, UNPARALLELED PORTABILITY AND SMALL-SCALE FABRICATION NEEDS,** THEY CAN QUICKLY ADAPT TO A VARIETY OF **UNFORESEEN AND CHANGEABLE SITUATIONS IN REMOTE AND INHOSPITABLE CONDITIONS.**

The Sleep Pod's sturdy, flexible, adaptable, customizable, resilient and cost-effective design is able to stand up to the elements. Adjustable legs enable the Sleep Pod to be erected swiftly, efficiently and on a wide variety of uneven and challenging surfaces.

# MEDICAL

07

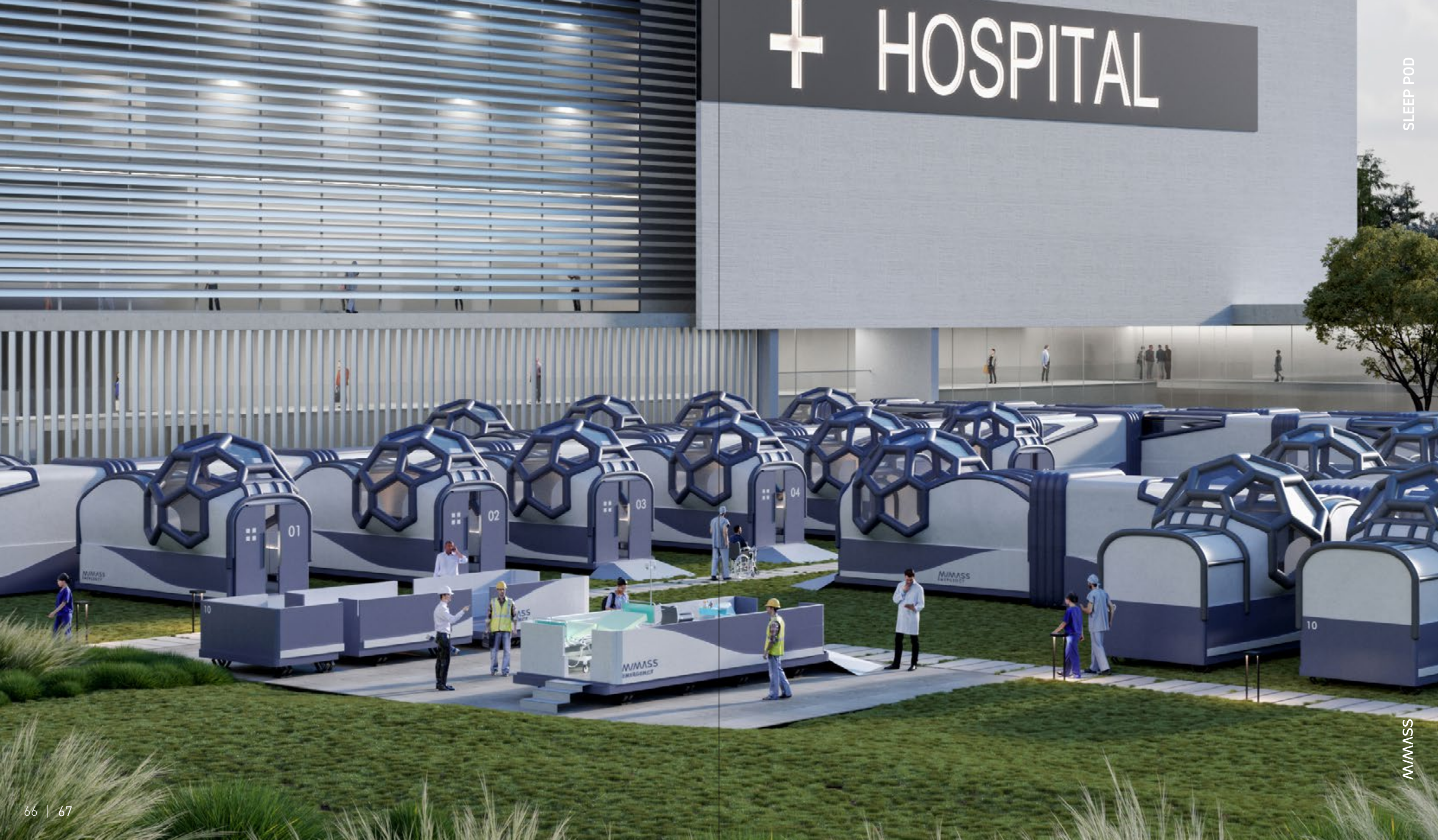


SLEEP POD

W/M/W/M

# + HOSPITAL

SLEEP POD



A NEW  
VIEWPOINT  
FOR  
MEDICINE

Whether used as patient care rooms, vaccine cultivation labs, hospital offices, isolation units or urgent care spaces, the Sleep Pod can accommodate a wide variety of medical needs.

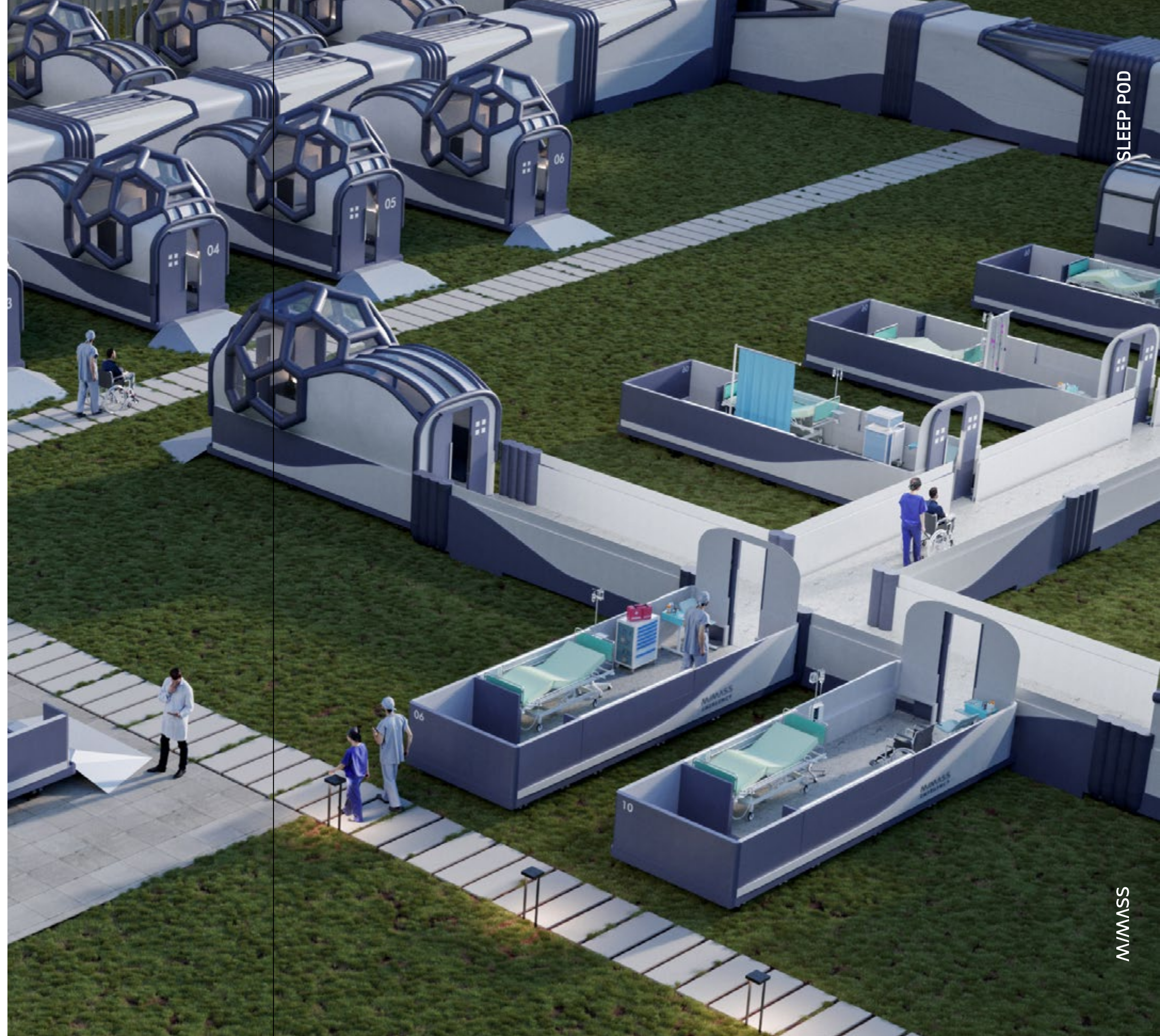
SLEEP POD



M/MASS

# AN EXTREMELY VERSATILE MODULAR SOLUTION

Hermetically-sealed, air controlled, easy care and ADA-compliant, they can be connected together to create a distinct, standalone, temporary wing that amplifies a hospital's existing facilities.



# FUTURE & PRIVATE USE

08





LIMITLESS  
HORIZONS



SLEEP POD

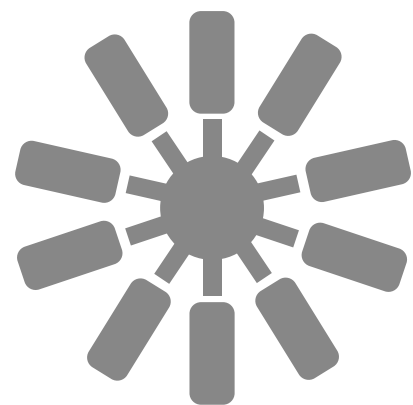
M/M/ASS



FROM SCHOOL ROOMS  
TO WORK FROM  
HOME SPACES, FROM  
POOLSIDE CHANGING  
AREAS TO GUEST  
QUARTERS, THE SLEEP  
POD MORPHS TO MEET  
THE NEEDS OF AN  
EVOLVING WORLD AND  
ITS SHIFTING NEEDS.



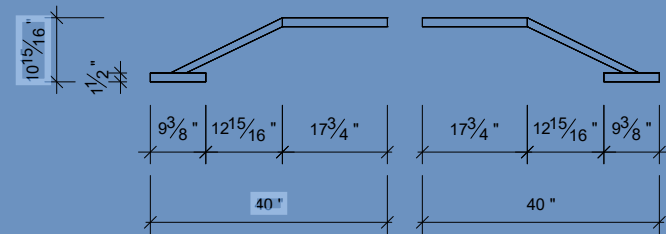
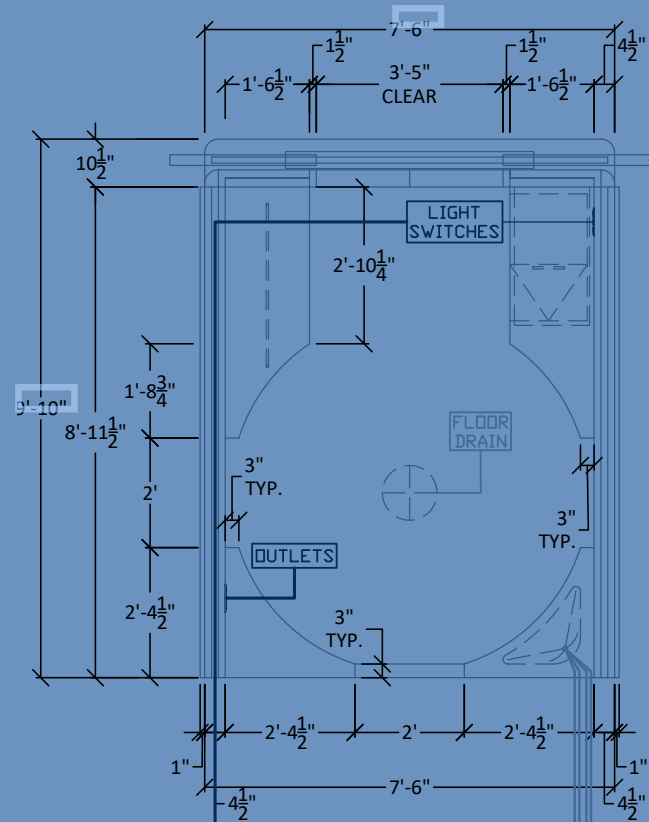
A  
REVOLUTIONARY  
SOLUTION



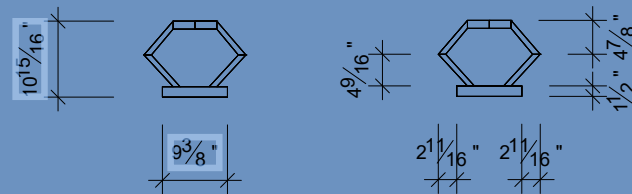
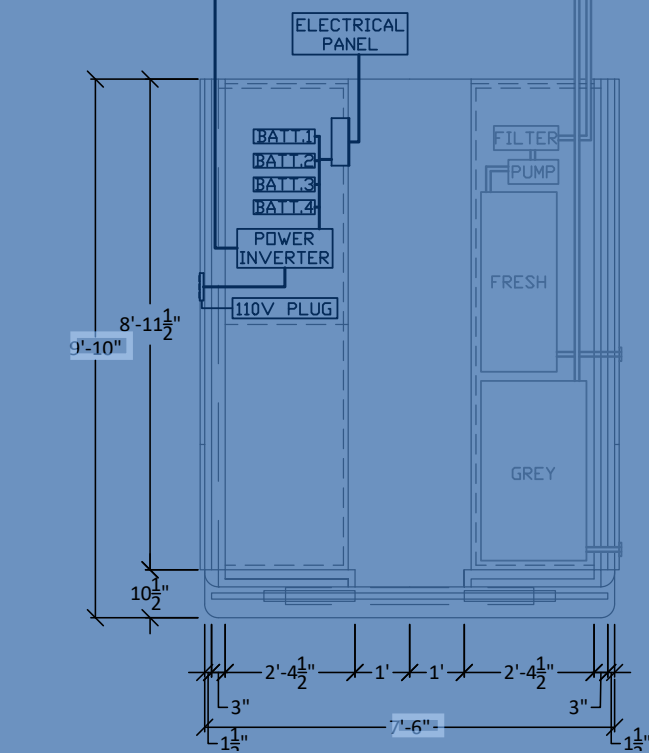
Created from recycled and recyclable injection molded plastic, The Sleep Pod offers the luxury of running water and electrical outlets in a snap-together, inflatable easy-to-assemble design that fits into a shipping container. Its destination? The possibilities are endless.

SLEEP POD





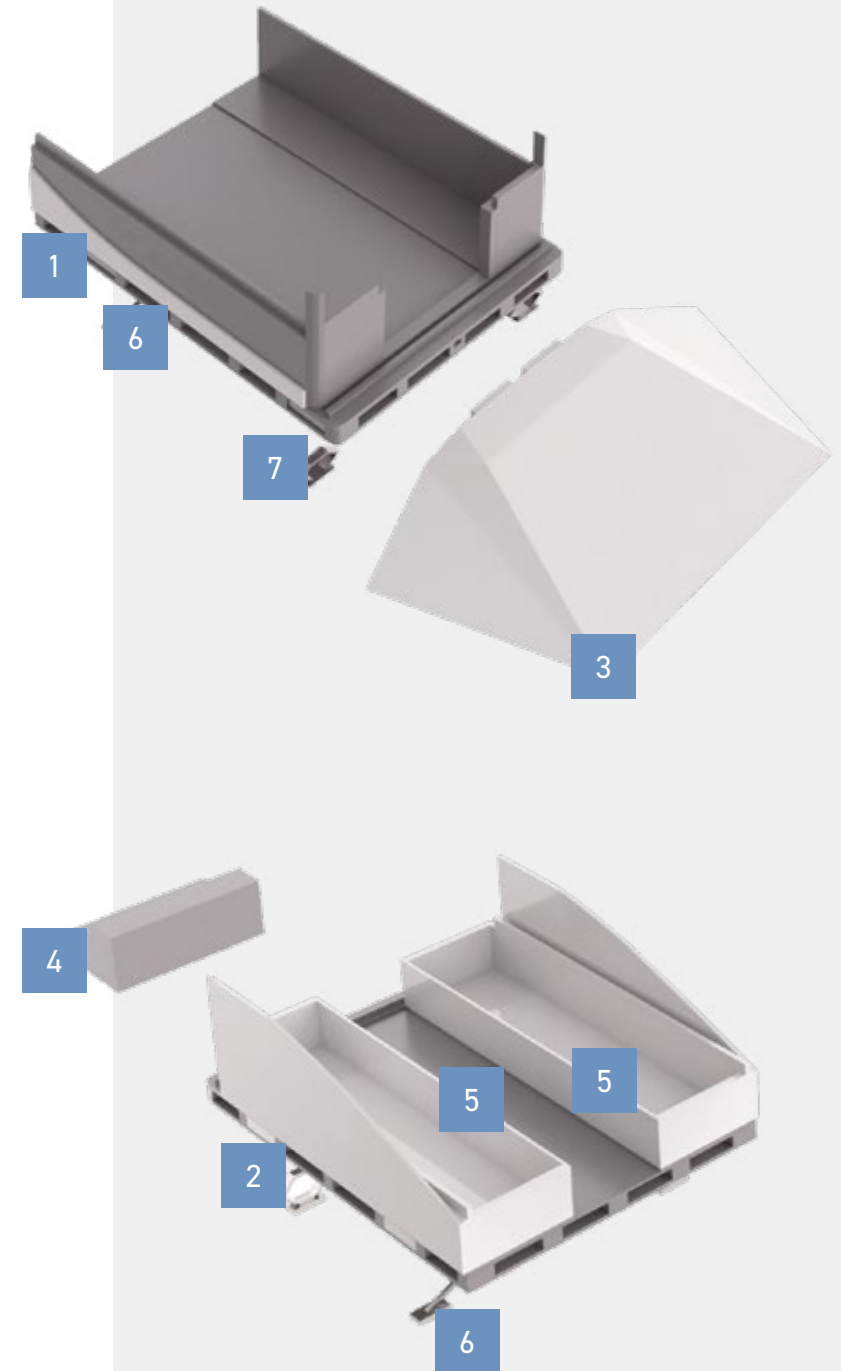
LEG TYPE #1

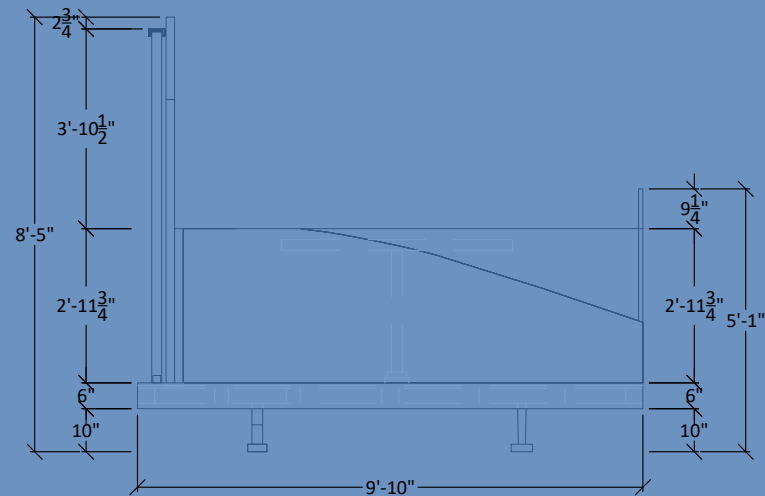
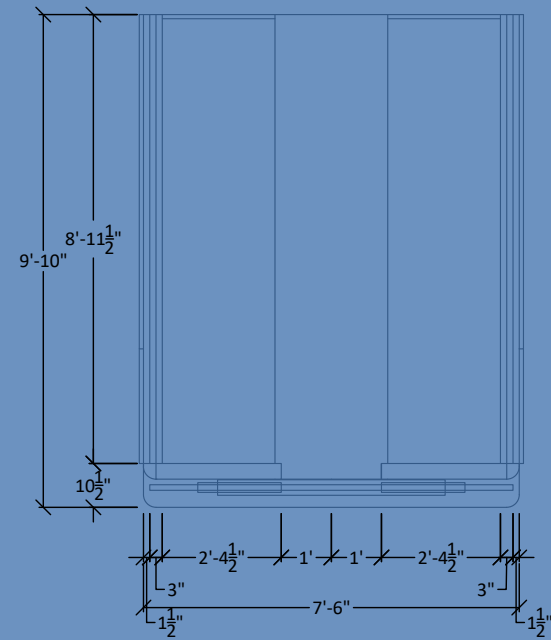
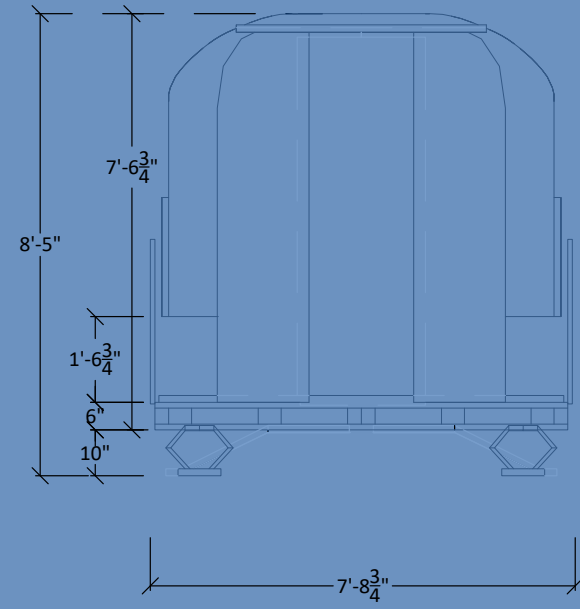
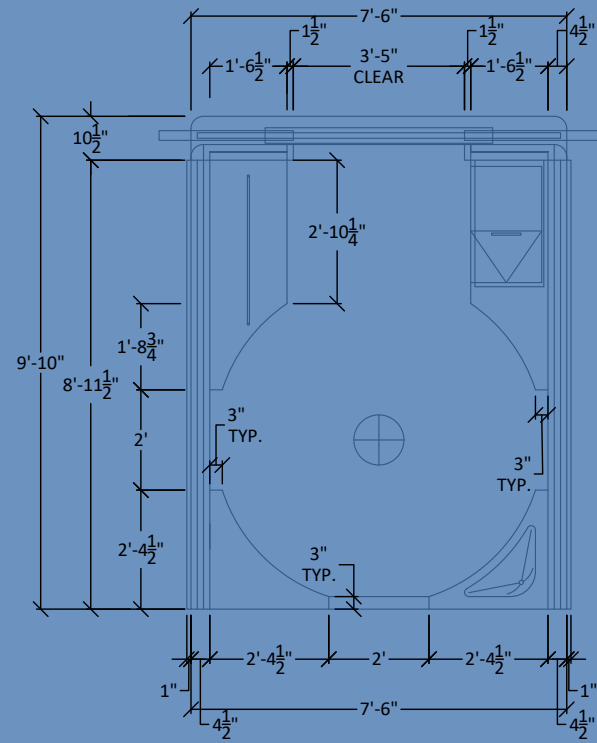


LEG TYPE #2

## BOTTOM BASE PARTS

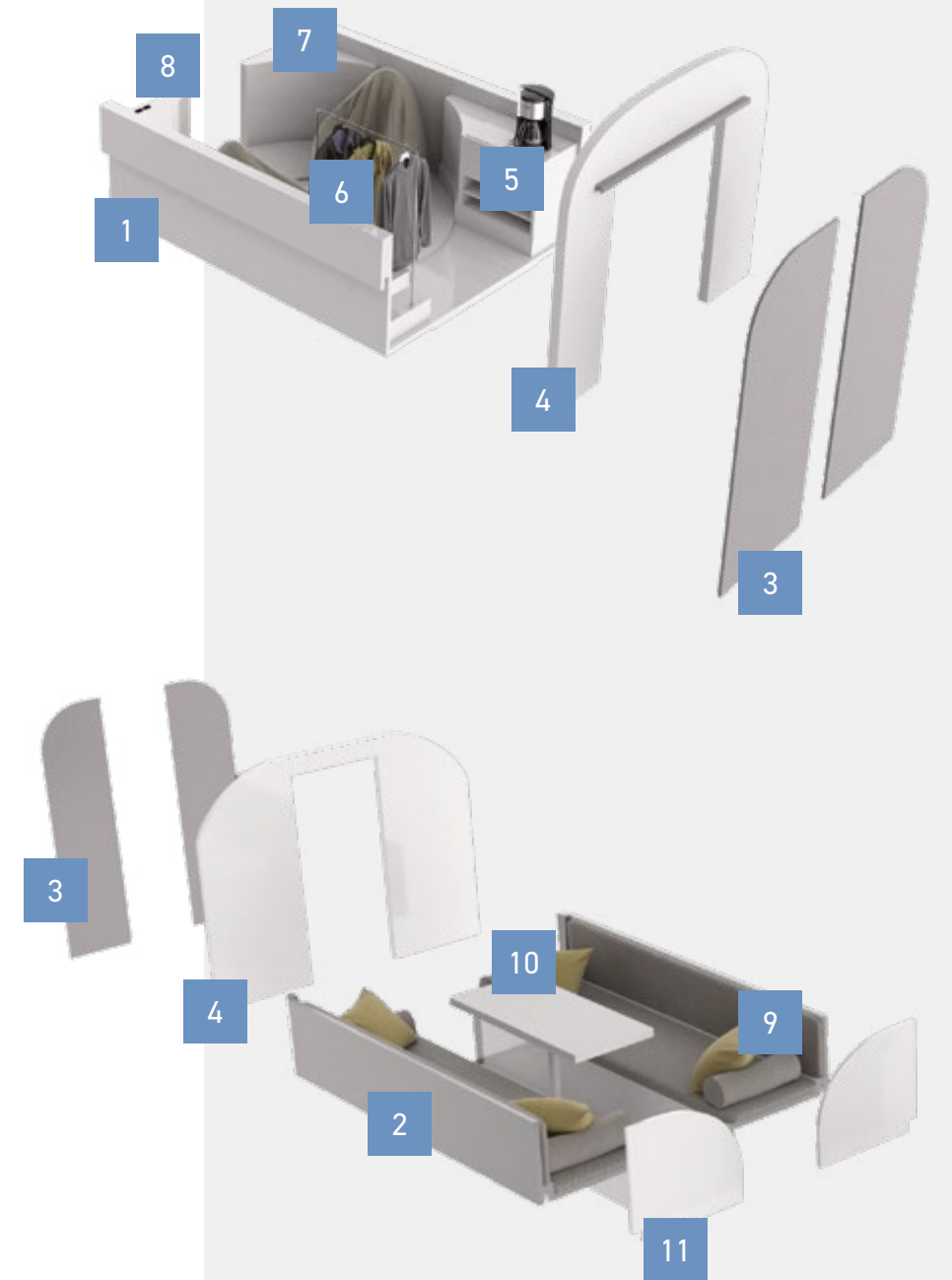
- 1 Bottom Base #1
- 2 Bottom Base #2
- 3 Ramp
- 4 Stair
- 5 Space For Water Tanks
- 6 Legs Type #1
- 7 Legs Type #2



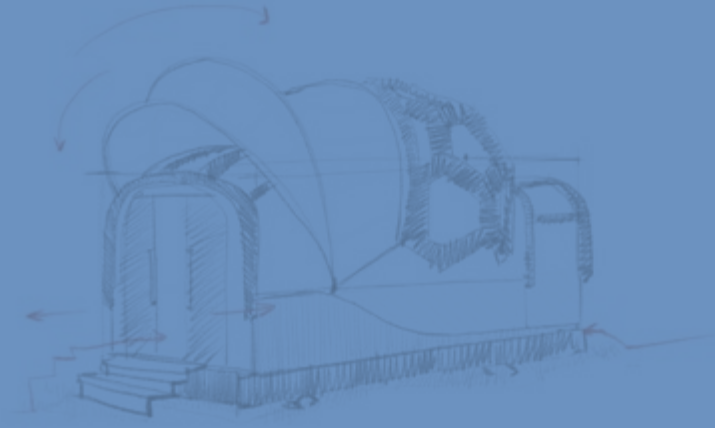


## TOP BASE PARTS

- 1 Top Base #1
- 2 Top Base #2
- 3 Sliding Doors
- 4 Walls
- 5 Kitchenet
- 6 Closet Area
- 7 Sink
- 8 Desk
- 9 Beds
- 10 Table
- 11 Dividing Walls



# SLEEPPOD



M/M/SS